



· Customized ·

# 专注高端铝箔容器6年

FOCUS ON HIGH-END CONTAINERS 6 YEARS



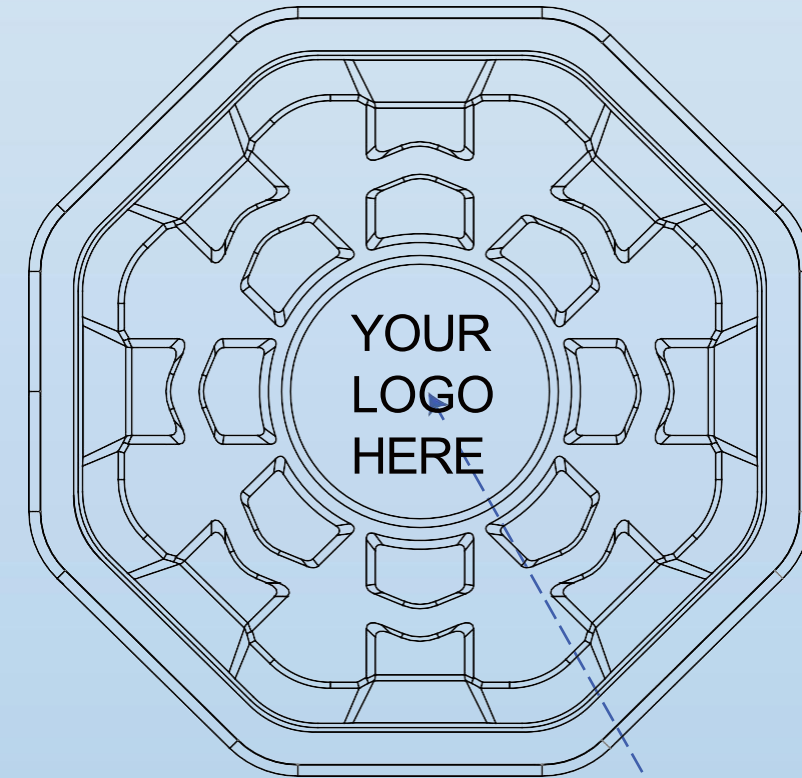
Customization  
Expert

匠心就是动力  
诚信就是口碑

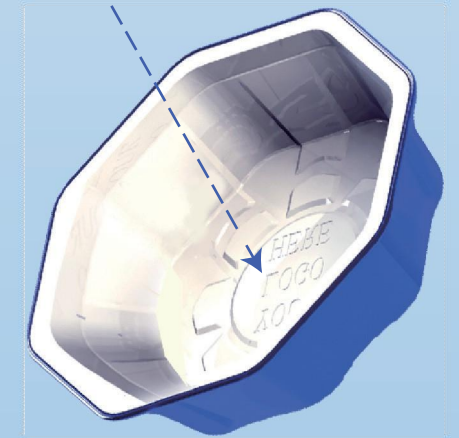
Te1:0086-18137673762

SINCE 2016

河南康宸进出口贸易有限公司  
Hennan Koncen Im&Ex Co.,Ltd



## CUSTOM DESIGN



### For complete solutions

**Application:**

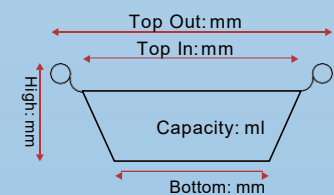
Aakery、AAQ、Takeout、Diner、Bup.....

**Description:**

Packaging Type、Annual usage、Did Seal Machine.....

**Dimensions:**

Top out、Top in、Aottom、Cepth、Bapacity.....



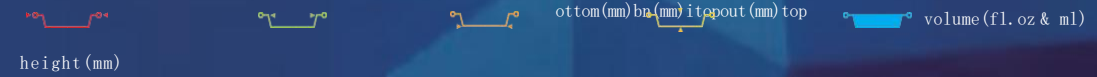
Measurement

CUSTOM DESIGN CONTAINER & LID



# Rectangle IVC series

## 长方形IVC铝箔容器系列



### 01-IVC

|  |           |               |
|--|-----------|---------------|
|  | 526x328mm | 20.7x12.9in   |
|  | 480x278mm | 18.89x10.94in |
|  | 76mm      | 2.99in        |
|  | 9700ml    | 35.19fl.oz    |

CasePack 50pcs  
CaseCube 54\*35\*34.5cm  
Weight 90-120g+/-5%



### 02-IVC

|  |           |               |
|--|-----------|---------------|
|  | 526x326mm | 20.7x12.8in   |
|  | 480x278mm | 18.89x10.94in |
|  | 42mm      | 1.65in        |
|  | 5400ml    | 190.05fl.oz   |

CasePack 50pcs  
CaseCube 54\*35\*34.5cm  
Weight 87g+/-5%



### 04-IVC

|  |           |             |
|--|-----------|-------------|
|  | 322x262mm | 4.96x3.94in |
|  | 258x198mm | 3.62x2.60in |
|  | 60mm      | 1.5in       |
|  | 3500ml    | 8.1fl.oz    |

CasePack 100pcs  
CaseCube 46\*27.5\*35cm  
Weight 33g+/-5%



### 05-IVC

|  |           |             |
|--|-----------|-------------|
|  | 225x159mm | 8.86x6.25in |
|  | 190x125mm | 7.48x4.92in |
|  | 30mm      | 1.18in      |
|  | 800ml     | 28.16fl.oz  |

CasePack 500pcs  
CaseCube 47\*43.5\*35cm  
Weight 11g+/-5%



### 07-IVC

|  |           |             |
|--|-----------|-------------|
|  | 195x103mm | 7.67x4.05in |
|  | 175x81mm  | 6.9x3.18in  |
|  | 23mm      | 0.906in     |
|  | xxml      | fl.oz       |

CasePack 500pcs  
CaseCube 38.5\*39\*21cm  
Weight 7.5g+/-5%



### 011-IVC

|  |           |             |
|--|-----------|-------------|
|  | 226x110mm | 8.9x4.33in  |
|  | 177x73mm  | 6.97x2.87in |
|  | 59mm      | 2.32in      |
|  | 800ml     | 28.16fl.oz  |

CasePack 1000pcs  
CaseCube 46\*36\*47.5cm  
Weight 11g+/-5%



### 012-IVC

|  |           |              |
|--|-----------|--------------|
|  | 258x195mm | 10.15x7.68in |
|  | 212x146mm | 8.34x5.74in  |
|  | 57mm      | 2.24in       |
|  | 1800ml    | 63.35fl.oz   |

CasePack 500pcs  
CaseCube 40\*35.5\*53cm  
Weight 15.5g+/-5%



### 013-IVC

|  |           |              |
|--|-----------|--------------|
|  | 205x110mm | 8.07x4.33in  |
|  | 162x70mm  | 6.377x2.76in |
|  | 57mm      | 2.24in       |
|  | 650ml     | 22.88fl.oz   |

CasePack 1000pcs  
CaseCube 46\*44\*43cm  
Weight 7g+/-5%



### 014-IVC

|  |           |             |
|--|-----------|-------------|
|  | 150x125mm | 5.9x4.92in  |
|  | 106x80mm  | 4.17x3.15in |
|  | 48mm      | 1.89in      |
|  | 400ml     | 14.08fl.oz  |

CasePack 1000pcs  
CaseCube 50.5\*31.5\*30.5cm  
Weight 6g+/-5%



### 018-IVC

|  |           |              |
|--|-----------|--------------|
|  | 430x310mm | 16.92x12.2in |
|  | 356x240mm | 14.02x9.45in |
|  | 65mm      | 2.56in       |
|  | 5500ml    | 193.57fl.oz  |

CasePack 50pcs  
CaseCube 45\*33\*34.5cm  
Weight 70g+/-5%



### 019-IVC

|  |           |               |
|--|-----------|---------------|
|  | 323x263mm | 12.72x10.35in |
|  | 242x180mm | 9.5x7.08in    |
|  | 105mm     | 4.13in        |
|  | 5600ml    | 197.09fl.oz   |

CasePack 100pcs  
CaseCube 60.5\*28.5\*33.5cm  
Weight 50-60g+/-5%



### 025-HG

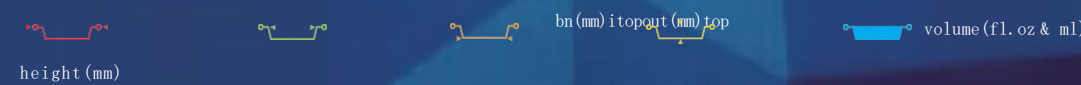
|  |           |              |
|--|-----------|--------------|
|  | 308x103mm | 12.13x4.06in |
|  | 264x167mm | 10.4x6.57in  |
|  | 54mm      | 2.13in       |
|  | 9700ml    | 341.4fl.oz   |

CasePack 1200pcs  
CaseCube 42\*32\*44cm  
Weight 10.5-12g+/-5%



# Rectangle IVC series

## 长方形IVC铝箔容器系



### 029 . MC

|  |           |             |
|--|-----------|-------------|
|  | 184x106mm | 7.24x4.17in |
|  | 155x77mm  | 6.1x3.03in  |
|  | 64mm      | 2.52in      |
|  | 750ml     | 25.36fl.oz  |

CasePack 1000pcs  
CaseCube 57\*31\*40cm  
Weight 8.2g+/-5%

100%



### 036 . MC

|  |           |             |
|--|-----------|-------------|
|  | 190x140mm | 7.48x5.51in |
|  | 160x98mm  | 6.3x3.86in  |
|  | 45mm      | 1.77in      |
|  | 910ml     | 30.77fl.oz  |

CasePack 1000pcs  
CaseCube 60.5\*35.5\*40.5cm  
Weight 9.2g+/-5%

100%



### 037 . MC

|  |           |             |
|--|-----------|-------------|
|  | 230x230mm | 9.05x9.05in |
|  | 192x192mm | 7.56x7.56in |
|  | 38mm      | 1.5in       |
|  | 1500ml    | 50.72fl.oz  |

CasePack 200pcs  
CaseCube 48\*31\*26cm  
Weight 20g+/-5%

100%



### 038 . MC

|  |           |              |
|--|-----------|--------------|
|  | 265x195mm | 10.43x7.68in |
|  | 212x145mm | 8.35x5.7in   |
|  | 65mm      | 2.56in       |
|  | 1900ml    | 64.24fl.oz   |

CasePack 500pcs  
CaseCube 45\*40\*39.5cm  
Weight 15.5g+/-5%

100%



### 040 . MC

|  |           |              |
|--|-----------|--------------|
|  | 315x215mm | 12.4x8.46in  |
|  | 275x175mm | 10.83x6.89in |
|  | 50mm      | 1.97in       |
|  | 2100ml    | 71fl.oz      |

CasePack 500pcs  
CaseCube 65.5\*40\*46.5cm  
Weight 20g+/-5%

100%



### 041 . MC

|  |           |               |
|--|-----------|---------------|
|  | 400x330mm | 15.75x13in    |
|  | 346x281mm | 13.62x11.06in |
|  | 37mm      | 1.46in        |
|  | 4500ml    | 152.2fl.oz    |

CasePack 120pcs  
CaseCube 45.5\*42.5\*35.5cm  
Weight 40g+/-5%

100%



### 042 . MC

|  |           |             |
|--|-----------|-------------|
|  | 217x153mm | 8.54x6.02in |
|  | 180x118mm | 7.09x4.65in |
|  | 32mm      | 1.26in      |
|  | 750ml     | 25.36fl.oz  |

CasePack 500pcs  
CaseCube 45\*41\*32.5cm  
Weight 13g+/-5%

100%



### 044 . MC

|  |           |             |
|--|-----------|-------------|
|  | 220x157mm | 8.66x6.18in |
|  | 178x115mm | 7x4.53in    |
|  | 55mm      | 2.17in      |
|  | 1000ml    | 33.81fl.oz  |

CasePack 500pcs  
CaseCube 46\*34.5\*34cm  
Weight 12.5g+/-5%

100%



### 052 . MC

|  |           |              |
|--|-----------|--------------|
|  | 274x115mm | 10.79x4.53in |
|  | 245x93mm  | 9.65x3.66in  |
|  | 39mm      | 1.54in       |
|  | 900ml     | 30.4fl.oz    |

CasePack 750pcs  
CaseCube 75\*40.5\*29.5cm  
Weight 11.3g+/-5%

100%



### 053 . MC

|  |           |             |
|--|-----------|-------------|
|  | 185x130mm | 7.28x5.12in |
|  | 96x147mm  | 3.78x5.79in |
|  | 50mm      | 1.97in      |
|  | 700ml     | 23.67fl.oz  |

CasePack 1000pcs  
CaseCube 57\*34\*39cm  
Weight 8g+/-5%

100%



### 054 . MC

|  |           |             |
|--|-----------|-------------|
|  | 175x110mm | 6.89x4.33in |
|  | 143x79mm  | 5.63x3.11in |
|  | 38mm      | 1.97in      |
|  | 400ml     | 13.53fl.oz  |

CasePack 1000pcs  
CaseCube 48\*30.5\*37.5cm  
Weight 5.6g+/-5%

100%



### 055 . MC

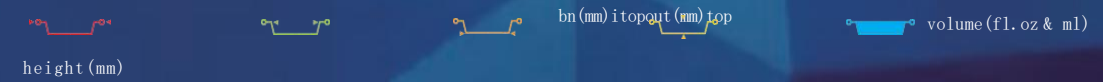
|  |           |               |
|--|-----------|---------------|
|  | 360x290mm | 14.17x11.42in |
|  | 296x226mm | 11.65x8.9in   |
|  | 75mm      | 2.95in        |
|  | ml        | fl.oz         |

CasePack 100pcs  
CaseCube 54\*38.5\*31.5cm  
Weight 70g+/-5%

100%

# Rectangle IVC series

## 长方形IVC铝箔容器系



### 026 . MC



|  |           |             |
|--|-----------|-------------|
|  | 322x262mm | 7.24x4.17in |
|  | 270x210mm | 6.1x3.03in  |
|  | 40mm      | 2.52in      |
|  | 750ml     | 25.36fl.oz  |

CasePack 100pcs  
CaseCube 43\*34.5\*29cm  
Weight 26g+/-5%



### 032 . MC

|  |           |             |
|--|-----------|-------------|
|  | 225x175mm | 8.85x6.89in |
|  | 195x145mm | 7.67x5.7in  |
|  | 40mm      | 1.57in      |
|  | 800ml     | 27.05fl.oz  |

CasePack 6000pcs  
CaseCube 47.5\*45.5\*36.5cm  
Weight 10.5g+/-5%



### 034 . MC

|  |           |              |
|--|-----------|--------------|
|  | 320x265mm | 12.6x10.43in |
|  | 272x212mm | 10.7x8.34in  |
|  | 60mm      | 2.36in       |
|  | 3000ml    | 101.44fl.oz  |

CasePack 400pcs  
CaseCube 54.5\*68\*29cm  
Weight 20g+/-5%

### 035 . MC



|  |           |             |
|--|-----------|-------------|
|  | 184x106mm | 7.24x4.17in |
|  | 156x78mm  | 6.14x3.07in |
|  | 38mm      | 1.5in       |
|  | 550ml     | 18.6fl.oz   |

CasePack 500pcs  
CaseCube 48\*30.5\*39cm  
Weight 9g+/-5%



### 062 . MC

|  |           |               |
|--|-----------|---------------|
|  | 526x326mm | 21x12.83in    |
|  | 462x261mm | 18.18x10.27in |
|  | 55mm      | 2.16in        |
|  | 6700ml    | 226.55fl.oz   |

CasePack 50pcs  
CaseCube 55\*35\*34.5cm  
Weight 110g+/-5%



### 068 . MC

|  |           |              |
|--|-----------|--------------|
|  | 320x268mm | 12.6x10.55in |
|  | 260x200mm | 10.24x7.87in |
|  | 55mm      | 2.17in       |
|  | ml        | fl.oz        |

CasePack 100pcs  
CaseCube 49.5\*29\*34cm  
Weight 40g+/-5%

### 069 . MC



|  |           |              |
|--|-----------|--------------|
|  | 159x102mm | 6.26x4in     |
|  | 140x82mm  | 5.51x3.228in |
|  | 30mm      | 1.18in       |
|  | 328ml     | 11.09fl.oz   |

CasePack 1000pcs  
CaseCube 42\*28\*34cm  
Weight 6.5g+/-5%



### 070 . MC

|  |           |            |
|--|-----------|------------|
|  | 165x135mm | 6.5x5.3in  |
|  | 127x100mm | 5x4.3.94in |
|  | 50mm      | 1.97in     |
|  | 575ml     | 19.44fl.oz |

CasePack 1000pcs  
CaseCube 57\*33\*35cm  
Weight 7.5g+/-5%



### 072 . MC

|  |           |             |
|--|-----------|-------------|
|  | 220x114mm | 8.66x4.49in |
|  | 187x81mm  | 7.36x3.19in |
|  | 63mm      | 2.48in      |
|  | 1000ml    | 33.81fl.oz  |

CasePack 500pcs  
CaseCube 53.5\*48\*24.5cm  
Weight 16.5g+/-5%

### 075 . MC



|  |           |             |
|--|-----------|-------------|
|  | 222x222mm | 8.74x8.74in |
|  | 187x187mm | 7.36x7.36in |
|  | 40mm      | 1.57in      |
|  | ml        | fl.oz       |

CasePack 500pcs  
CaseCube 46\*43\*46.5cm  
Weight 15.9g+/-5%



### 03120-MC

|  |           |              |
|--|-----------|--------------|
|  | 314x213mm | 12.36x8.39in |
|  | 270x170mm | 10.63x6.69in |
|  | 50mm      | 1.97in       |
|  | 1950ml    | 65.94fl.oz   |

CasePack 200pcs  
CaseCube 48\*30.5\*37.5cm  
Weight 26.5g+/-5%





# Rectangle FCseries

## 长方形FC铝箔容器系列

top out&mm ( top in&mm ( bottom&mm ( height&mm ( volume&fl)oz | ml (



100%

### 056-FC

|           |             |
|-----------|-------------|
| 158x158mm | 6.22x6.22in |
| 126x126mm | 4.96x4.96in |
| 40mm      | 1.57in      |
| 550. ml   | 18.6fl. oz  |

CasePack 1000pcs  
CaseCube 65\*28\*33.5cm  
Weight 7g+/-5%



100%

### 058-FC

|           |             |
|-----------|-------------|
| 130x101mm | 6)04x3)66in |
| 90x60mm   | 4)88x2)52in |
| 37mm      | 0)97in      |
| 225ml     | 7.6fl. oz   |

CasePack 1000pcs  
CaseCube 43\*31.5\*29cm  
Weight 3g+/-5%



100%

### 059-FC

|           |              |
|-----------|--------------|
| 320x268mm | 12.6x10.55in |
| 260x200mm | 10.24x7.87in |
| 65mm      | 2.56in       |
| 3500. ml  | 118.4fl. oz  |

CasePack 100pcs  
CaseCube 49\*33.5\*28.5cm  
Weight 35g+/-5%



100%

### 073-FC

|           |             |
|-----------|-------------|
| 220x158mm | 8.66x6.22in |
| 187x123mm | 7.36x4.84in |
| 40mm      | 1.57in      |
| ml        | fl. oz      |

CasePack 500pcs  
CaseCube 45\*30.5\*33.5cm  
Weight 12g+/-5%



100%

### 076-FC

|           |             |
|-----------|-------------|
| 405x286mm | 7)99x7)99in |
| 375x255mm | 7).9x7).9in |
| 14mm      | 0)3in       |
| ml        | fl. oz      |

CasePack 24pcs  
CaseCube 41.5\*30\*14cm  
Weight 40g+/-5%



100%

### 081-FC

|           |             |
|-----------|-------------|
| 201x111mm | 7.91x4.37in |
| 158x66mm  | 6.22x2.6in  |
| 54mm      | 2.13in      |
| . ml      | fl. oz      |

CasePack 1000pcs  
CaseCube 46.2\*35\*42cm  
Weight 9g+/-5%



100%

### 082-FC

|           |               |
|-----------|---------------|
| 215x143mm | 8.46x5.63in   |
| 172x112mm | 6.77. x4.41in |
| 50mm      | 1.97in        |
| 900ml     | 30.4fl. oz    |

CasePack 1000pcs  
CaseCube 60\*31\*44cm  
Weight 10g+/-5%



100%

### 083-FC

|           |              |
|-----------|--------------|
| 232x174mm | 02)6x6)5in   |
| 198x138mm | 0.)24x4)65in |
| 46mm      | 3)05in       |
| ml        | fl. oz       |

CasePack 500pcs  
CaseCube 48\*44\*37cm  
Weight 14g+/-5%



100%

### 084-FC

|           |                |
|-----------|----------------|
| 350x133mm | 13.78. x5.24in |
| 311x90mm  | 12.24x3.54in   |
| 52mm      | 2.05in         |
| ml        | fl. oz         |

CasePack 500pcs  
CaseCube 55.5\*32\*36.5cm  
Weight 15g+/-5%



100%

### 087-FC

|           |               |
|-----------|---------------|
| 370x268mm | 14.57x10.55in |
| 341x210mm | 13.43x8.27in  |
| 67mm      | 2.64in        |
| . ml      | fl. oz        |

CasePack 100pcs  
CaseCube 47\*38.5\*28cm  
Weight 53g+/-5%



100%

### 088-FC

|           |            |
|-----------|------------|
| 220x150mm | 8.66x5.9in |
| 188x119mm | 7.4x4.69in |
| 45mm      | 1.77in     |
| 950. ml   | 32.1fl. oz |

CasePack 500pcs  
CaseCube 45.5\*34\*31.5cm  
Weight 19g+/-5%



100%

### 091-FC

|           |              |
|-----------|--------------|
| 320x168mm | 12.6x6.61in  |
| 265x112mm | 10.43x4.41in |
| 78mm      | 3.07in       |
| ml        | fl. oz       |

CasePack pcs  
CaseCube cm  
Weight g+/-5%

# Rectangle FCseries

## 长方形FC铝箔容器系列

top out (mm) top in (mm) bottom (mm) height (mm) volume (fl. oz & ml)



| Item    | Size      | PCS/CARTON | CARTON SIZE(MM) |
|---------|-----------|------------|-----------------|
| 258 Lid | 248*184mm | 500        | 260*210*120(58) |
| 150 Lid | 140*115mm | 1000       | 243*148*240     |
| 184 Lid | 183*105mm | 1000       | 120*115*248     |
| 190 Lid | 189*134mm | 500        | 193*140*228     |
| 176 Lid | 170*105mm | 1000       | 123*178         |
| 130 Lid | 125*95mm  | 1000       | 200*135*240     |
| 185 Lid | 179*126mm | 500        |                 |
| 315 Lid | 307*205mm | 400        |                 |
| 205 Lid | 197*103mm | 1000       | 287*195*240     |
| 7" Lid  | 180*180mm | 1000       | 370*190*240     |
| 220 Lid | 213*150mm | 1000       |                 |
| 320 Lid | 315*210mm | 500        | 320*220*240     |

**Lid**  
盖子

**01/03 Pan Lid**

Apply to 62115  
适用于



**26/28 Pan Lid**

Apply to 028



**89/87 Pan Lid**

Apply to 087





# Round Series

round series

## 圆形铝箔容器系列

bottom (mm) height (mm) volume (fl. oz & ml)

[www.koncenInc.com](http://www.koncenInc.com)



Godfoi神

FAITH IN YOUR PACK



100%

### R08-FC

|        |             |
|--------|-------------|
| 185 mm | 7.28 in     |
| 180 mm | 7.08 in     |
| 148 mm | 5.83 in     |
| 40 mm  | 1.57 in     |
| 125 ml | 4.23 fl. oz |

CasePack 500pcs  
CaseCube 44\*38\*38.5cm  
Weight 10g+/-5%



100%

### R09-FC

|         |              |
|---------|--------------|
| 234 mm  | 9.21 in      |
| 225 mm  | 8.86 in      |
| 200 mm  | 7.87 in      |
| 46 mm   | 1.81 in      |
| 1400 ml | 47.34 fl. oz |

CasePack 500pcs  
CaseCube 49.8\*48\*48.5cm  
Weight 14g+/-5%



100%

### R010-HVF

|        |              |
|--------|--------------|
| 215 mm | 8.46 in      |
| 210 mm | 8.26 in      |
| 178 mm | 7 in         |
| 41 mm  | 1.61 in      |
| 940 ml | 31.78 fl. oz |

CasePack 500pcs  
CaseCube 43.5\*38.5\*44.5cm  
Weight 11g+/-5%



100%

### R016-HVF

|        |              |
|--------|--------------|
| 184 mm | 7.24 in      |
| 178 mm | 7.00 in      |
| 110 mm | 4.33 in      |
| 66 mm  | 2.6 in       |
| 750 ml | 25.36 fl. oz |

CasePack 1000pcs  
CaseCube 74\*38\*38cm  
Weight 9-12g+/-5%



100%

### R043-HVF

|       |             |
|-------|-------------|
| 65 mm | 2.56 in     |
| 60 mm | 2.36 in     |
| 40 mm | 1.57 in     |
| 19 mm | 0.75 in     |
| 40 ml | 1.35 fl. oz |

CasePack 6000pcs  
CaseCube 40\*34.5\*31cm  
Weight 0.82g+/-5%



100%

### R045-HVF

|        |         |
|--------|---------|
| 202 mm | 7.95 in |
| 190 mm | 7.48 in |
| 137 mm | 5.39 in |
| 25 mm  | 0.98 in |
| ml     | fl. oz  |

CasePack 1000pcs  
CaseCube cm  
Weight 11.5g+/-5%



100%

### R048-FC

|         |             |
|---------|-------------|
| 74.5 mm | 2.93 in     |
| 70 mm   | 2.76 in     |
| 38.5 mm | 1.52 in     |
| 20 mm   | 0.79 in     |
| 35 ml   | 1.18 fl. oz |

CasePack 5000pcs  
CaseCube 45\*38.5\*33cm  
Weight 1.08g+/-5%



100%

### R050-HVF

|        |             |
|--------|-------------|
| 82 mm  | 3.23 in     |
| 75 mm  | 2.95 in     |
| 60 mm  | 2.36 in     |
| 39 mm  | 1.54 in     |
| 110 ml | 3.72 fl. oz |

CasePack 2000pcs  
CaseCube 66\*43\*35cm  
Weight 3g+/-5%



100%

### R051-HVF

|       |         |
|-------|---------|
| 94 mm | 3.7 in  |
| 88 mm | 3.46 in |
| 84 mm | 3.31 in |
| 19 mm | 0.74 in |
| ml    | fl. oz  |

CasePack 5000pcs  
CaseCube 69.5\*49.5\*31.5cm  
Weight 1.5g+/-5%



100%

### R057-HVF

|        |             |
|--------|-------------|
| 120 mm | 4.73 in     |
| 115 mm | 4.53 in     |
| 90 mm  | 3.54 in     |
| 40 mm  | 1.57 in     |
| 260 ml | 8.79 fl. oz |

CasePack 1000pcs  
CaseCube 51\*46.5\*26.5cm  
Weight 4.5g+/-5%



100%

### R094-HVF

|        |             |
|--------|-------------|
| 183 mm | 7.2 in      |
| 178 mm | 7 in        |
| 120 mm | 4.72 in     |
| 47 mm  | 1.85 in     |
| 550 ml | 18.6 fl. oz |

CasePack pcs  
CaseCube cm  
Weight 8g+/-5%



100%

### R290-HVF

|            |                |
|------------|----------------|
| 290x260 mm | 11.42x10.24 in |
| 280x245 mm | 11.02x9.65 in  |
| 180x180 mm | 7.09x7.09 in   |
| 120 mm     | 4.72 in        |
| 4400 ml    | 148.78 fl. oz  |

Case Pack pcs  
Case Cube  
40HQ Cases



# Round Series

round series

## 圆形铝箔容器系列

bottom (mm) height (mm) volume (fl. oz & ml)



100%

### R063-FC

|        |              |
|--------|--------------|
| 245 mm | 9.64 in      |
| 240 mm | 9.44 in      |
| 178 mm | 7 in         |
| 30 mm  | 1.18 in      |
| 900 ml | 30.43 fl. oz |

CasePack 200pcs  
CaseCube 50\*34\*26.5cm  
Weight 16g+/-5%



100%

### R064-FC

|        |          |
|--------|----------|
| 287 mm | 11.3 in  |
| 280 mm | 11.02 in |
| 228 mm | 8.97 in  |
| 32 mm  | 1.26 in  |
| ml     | fl. oz   |

CasePack 250pcs  
CaseCube 62\*41\*32cm  
Weight 35g+/-5%



100%

### R065-HVF

|       |         |
|-------|---------|
| 62 mm | 2.44 in |
| 55 mm | 2.17 in |
| 40 mm | 1.57 in |
| 35 mm | 1.38 in |
| ml    | fl. oz  |

CasePack 2000pcs  
CaseCube 69\*32.5\*27.3cm  
Weight 2g+/-5%



100%

### R066-HVF

|       |              |
|-------|--------------|
| 60 mm | 2.36 in      |
| 55 mm | 2.16 in      |
| 35 mm | 1.38 in      |
| 19 mm | 0.75 in      |
| ml    | 25.36 fl. oz |

CasePack 5000pcs  
CaseCube 53.2\*32\*26cm  
Weight 1g+/-5%



100%

### R071-HVF

|        |         |
|--------|---------|
| 125 mm | 4.92 in |
| 120 mm | 4.73 in |
| 88 mm  | 3.46 in |
| 35 mm  | 1.38 in |
| ml     | fl. oz  |

CasePack 192pcs  
CaseCube 26\*24.5\*14cm  
Weight 4.6g+/-5%



100%

### R078-HVF

|        |         |
|--------|---------|
| 128 mm | 5.04 in |
| 120 mm | 4.72 in |
| 78 mm  | 3.07 in |
| 30 mm  | 1.18 in |
| ml     | fl. oz  |

CasePack pcs  
CaseCube cm  
Weight 4.4g+/-5%



100%

### R079-FC

|         |              |
|---------|--------------|
| 185 mm  | 7.28 in      |
| 179 mm  | 7.04 in      |
| 160 mm  | 6.3 in       |
| 76 mm   | 2.99 in      |
| 1000 ml | 33.81 fl. oz |

CasePack 1000pcs  
CaseCube 87\*38.5\*38.5cm  
Weight 12.5g+/-5%



100%

### R080-HVF

|        |         |
|--------|---------|
| 228 mm | 8.97 in |
| 220 mm | 8.66 in |
| 120 mm | 4.72 in |
| 35 mm  | 1.38 in |
| ml     | fl. oz  |

CasePack pcs  
CaseCube cm  
Weight 15g+/-5%





# Special-Shape Series

## 异形铝箔容器系列

bottom&mm ( height&mm ( volume&fl)oz & ml (



100%

### 093) FV-

|  |           |              |
|--|-----------|--------------|
|  | 255x234mm | 10.04x9.21in |
|  | 200x180mm | 7.87x7.09in  |
|  | 48mm      | 1.89in       |
|  | ml        | fl.oz        |

CasePack pcs  
CaseCube cm  
Weight 25g+/-5%



100%

### 2318) 2-P) FV-

|  |           |             |
|--|-----------|-------------|
|  | 226x176mm | 8.90x6.93in |
|  | 212x162mm | 8.35x6.38in |
|  | 196x144mm | 7.72x5.67in |
|  | 38mm      | 1.5in       |
|  | 840ml     | 29.57fl.oz  |

Case Pack 1000pcs  
Case Cube  
40HQ Cases



100%

### 2318) 3-P) FV-

|  |           |             |
|--|-----------|-------------|
|  | 229x181mm | 9.02x7.13in |
|  | 209x163mm | 8.23x6.42in |
|  | 190x141mm | 7.48x5.55in |
|  | 35mm      | 1.77in      |
|  | 88. ml    | 30.98fl.oz  |

Case Pack 500pcs  
Case Cube 0.062m<sup>3</sup> 2.194cu ft  
3. HQ Cases 567ctn



100%

### 086) C-

|  |             |             |
|--|-------------|-------------|
|  | 245. x210mm | 9.65x8.27in |
|  | 210x172mm   | 8.27x6.77in |
|  | 35mm        | 1.38in      |
|  | 750ml       | 25.36fl.oz  |

CasePack 500pcs  
CaseCube 50.5\*47.5\*43.5cm  
Weight 16.7g+/-5%



100%

### 2521) 4-P) C-

|  |           |             |
|--|-----------|-------------|
|  | 250x210mm | 9.84x8.27in |
|  | 232x192mm | 9.13x7.56in |
|  | 32mm      | 1.26in      |
|  | 950ml     | 33.44fl.oz  |

Case Pack 500pcs  
Case Cube 0.058m<sup>3</sup> 2.05cuft  
40HQ Cases 1154ctn



100%

### 033) FV-

|  |           |             |
|--|-----------|-------------|
|  | 230x180mm | 9.05x7.09in |
|  | 195x150mm | 7.68x5.91in |
|  | 37mm      | 1.46in      |
|  | 675ml     | 22.82fl.oz  |

CasePack 600pcs  
CaseCube 56.5\*33.5\*48.5cm  
Weight 11g+/-5%



100%

### 1022) C-

|  |           |              |
|--|-----------|--------------|
|  | 546x362mm | 21.5x14.25in |
|  | 400x218mm | 15.75x8.58in |
|  | 22mm      | 0.87in       |
|  | 2100ml    | 71fl.oz      |

CasePack 50pcs  
CaseCube 57\*37.5\*38cm  
Weight 71g+/-5%



100%

### 1023) C-

|  |           |               |
|--|-----------|---------------|
|  | 430x288mm | 16.93x11.34in |
|  | 324x185mm | 12.76x7.28in  |
|  | 22mm      | 0.86in        |
|  | 1400ml    | 47.34fl.oz    |

CasePack 500pcs  
CaseCube 47\*43.5\*35cm  
Weight 11g+/-5%



100%

### 1024) C-

|  |           |              |
|--|-----------|--------------|
|  | 345x246mm | 13.58x9.68in |
|  | 250x138mm | 9.84x5.43in  |
|  | 22mm      | 0.86in       |
|  | 1000ml    | 33.8fl.oz    |

CasePack 50pcs  
CaseCube 42.5\*37\*27cm  
Weight 22g+/-5%



100%

### 1046) C-

|  |           |               |
|--|-----------|---------------|
|  | 283*414mm | 11.14x16.37in |
|  | 261x121mm | 10.28x4.76in  |
|  | 15mm      | 0.59in        |

CasePack 752pcs  
CaseCube 59\*30.5\*58cm  
Weight 8.74g+/-5%



100%

### 027) C-

|  |           |               |
|--|-----------|---------------|
|  | 445x355mm | 17.52x13.98in |
|  | 352x268mm | 13.86x10.55in |
|  | 78mm      | 3.07in        |
|  | 6500ml    | 230fl.oz      |

CasePack 50pcs  
CaseCube 39\*37\*46cm  
Weight 670g+/-5%



100%

### 020) C-

|  |           |               |
|--|-----------|---------------|
|  | 468x350mm | 18.43x13.78in |
|  | 380x268mm | 14.96x10.55in |
|  | 80mm      | 3.15in        |
|  | 7000ml    | 236.7fl.oz    |

CasePack 50pcs  
CaseCube 48\*35.5\*37cm  
Weight 70g/80g+/-5%

# Special-Shape Series

## 异形铝箔容器系列

top dlt (mm) top in (mm) bottom (mm) height (mm) Volume (fl. oz & ml)

# Baking Series

## 烘焙铝箔容器系列

top dlt (mm) top in (mm) bottom (mm) height (mm) Volume (fl. oz & ml)



100%

### Y047-FC

|       |         |
|-------|---------|
| 126mm | 4.96in  |
| 112mm | 4.41in  |
| 86mm  | 3.39in  |
| 116mm | 4.57in  |
| 830ml | 28fl.oz |

Case Pack 5pcs  
Case CUbe  
40HQ Cases



100%

### Y039-FC

|       |        |
|-------|--------|
| 194mm | 6.85in |
| 80mm  | 6.26in |
| 194mm | 4.45in |

Case Pack 1000pcs  
Case CUbe 35\*21\*21cm  
Weight 4g+/-5%



100%

### R127-FC

|       |        |
|-------|--------|
| 127mm | 5in    |
| 113mm | 4.45in |
| 75mm  | 2.95in |
| 40mm  | 1.57in |

Case Pack pcs  
Case CUbe



100%

### R200-FC

|       |        |
|-------|--------|
| 200mm | 7.87in |
| 170mm | 6.69in |
| 145mm | 5.71in |
| 38mm  | 1.50in |

Case Pack pcs  
Case CUbe



100%

### Y07-FC

|             |               |
|-------------|---------------|
| 175 X 175mm | 6.89 X 6.89in |
| 155 X 155mm | 6.10 X 6.10in |
| 135 X 135mm | 5.31 X 5.31in |
| 49mm        | 1.93in        |
| 875ml       | 29.58fl.oz    |

Case Pack 1000pcs  
Case CUbe  
40HQ Cases



100%

### Y393-FC

|             |                 |
|-------------|-----------------|
| 393 X 393mm | 15.47 X 15.47in |
| 368 X 368mm | 14.49 X 14.49in |
| 348 X 348mm | 13.7 X 13.7in   |
| 38mm        | 1.5in           |
| 3500ml      | 123.2fl.oz      |

Case Pack 100pcs  
Case CUbe  
40HQ Cases



100%

### R206-FC

|      |          |
|------|----------|
| 56mm | 2.20in   |
| 50mm | 1.97in   |
| 30mm | 1.18in   |
| 15mm | 0.59in   |
| 20ml | 0.7fl.oz |

Case Pack 10000pcs  
Case CUbe



100%

### R207-FC

|      |           |
|------|-----------|
| 71mm | 2.8in     |
| 64mm | 2.52in    |
| 39mm | 1.54in    |
| 20mm | 0.79in    |
| 25ml | 0.88fl.oz |

Case Pack 5000pcs  
Case CUbe

## Lid 盖子

### Aluminum Lid/铝盖



### Paper Lid/纸盖

Apply to: IVC, HVF and VCF  
适用于



### Plastic Lid/塑料盖

Apply to: Various specifications  
适用于



100%

### R220-FC

|       |        |
|-------|--------|
| 220mm | 8.66in |
| 175mm | 6.89in |
| 46mm  | 1.81in |
| 35mm  | 1.38in |

Case Pack pcs  
Case CUbe



100%

### R230-1-FC

|       |        |
|-------|--------|
| 230mm | 9.06in |
| 200mm | 7.87in |
| 175mm | 6.89in |
| 35mm  | 1.38in |

Case Pack pcs  
Case CUbe



100%

### R230-2-FC

|       |        |
|-------|--------|
| 230mm | 9.06in |
| 205mm | 8.07in |
| 170mm | 6.69in |
| 35mm  | 1.38in |

Case Pack pcs  
Case CUbe



100%

### R230-3-FC

|       |        |
|-------|--------|
| 230mm | 9.06in |
| 205mm | 8.07in |
| 170mm | 6.69in |
| 43mm  | 1.38in |

Case Pack pcs  
Case CUbe



100%

### R235-1VC

|       |        |
|-------|--------|
| 230mm | 9.06in |
| 220mm | 8.66in |
| 170mm | 6.69in |
| 50mm  | 1.97in |

Case Pack pcs  
Case CUbe



100%

### R243-FC

|       |        |
|-------|--------|
| 245mm | 9.65in |
| 215mm | 8.46in |
| 175mm | 6.89in |
| 43mm  | 1.69in |

Case Pack pcs  
Case CUbe

# Airline Series

## 航空铝箔容器系列

top out (mm) top in (mm) bottom (mm) height (mm) volume (fl. oz & ml)



### R85-IVC



100%

|       |            |
|-------|------------|
| 85 mm | 3.35in     |
| 75 mm | 2.95in     |
| 55 mm | 2.17in     |
| 40 mm | 1.57in     |
| 110ml | 3.72fl. oz |

Case Pack pcs  
Case Cube  
40HQ Cases



100%

### 1310(Red)

|           |             |
|-----------|-------------|
| 135x103mm | 5.30x4.06in |
| 125x92mm  | 4.92x3.62in |
| 105x70mm  | 4.13x2.76in |
| 35 mm     | 1.38in      |
| 250ml     | 8.45fl. oz  |

Case Pack pcs  
Case Cube  
40HQ Cases



100%

### 1610(Red)

|           |             |
|-----------|-------------|
| 165x100mm | 6.50x3.94in |
| 155x90mm  | 6.10x3.54in |
| 135x70mm  | 5.31x2.76in |
| 35 mm     | 1.38in      |
| 380ml     | 12.85fl. oz |

Case Pack pcs  
Case Cube  
40HQ Cases



100%

### 1610(Silver) -IVC

|           |             |
|-----------|-------------|
| 168x105mm | 6.61x4.13in |
| 150x95mm  | 5.91x3.74in |
| 125x65mm  | 4.92x2.56in |
| 40 mm     | 1.57in      |
| 350ml     | 11.84fl. oz |

Case Pack pcs  
Case Cube  
40HQ Cases



100%

### 1610G(Silver)

|           |              |
|-----------|--------------|
| 160x100mm | 10.00x7.01in |
| 150x95mm  | 9.69x6.69in  |
| 135x76mm  | 7.32x4.41in  |
| 35 mm     | 0.55in       |
| 320ml     | 10.82fl. oz  |

Case Pack pcs  
Case Cube  
40HQ Cases



100%

### 1610G(Silver)

|           |              |
|-----------|--------------|
| 160x100mm | 10.00x7.01in |
| 150x95mm  | 9.69x6.69in  |
| 135x76mm  | 7.32x4.41in  |
| 35 mm     | 0.55in       |
| 320ml     | 10.82fl. oz  |

Case Pack pcs  
Case Cube  
40HQ Cases



100%

### 1610G(Green)

|           |              |
|-----------|--------------|
| 160x100mm | 10.00x7.01in |
| 150x95mm  | 9.69x6.69in  |
| 135x76mm  | 7.32x4.41in  |
| 35 mm     | 0.55in       |
| 320ml     | 10.82fl. oz  |

Case Pack pcs  
Case Cube  
40HQ Cases



100%

### 1610G(Blue)

|           |              |
|-----------|--------------|
| 160x100mm | 10.00x7.01in |
| 150x95mm  | 9.69x6.69in  |
| 135x76mm  | 7.32x4.41in  |
| 35 mm     | 0.55in       |
| 320ml     | 10.82fl. oz  |

Case Pack pcs  
Case Cube  
40HQ Cases



100%

### 1610G(Rose Red)

|           |              |
|-----------|--------------|
| 160x100mm | 10.00x7.01in |
| 150x95mm  | 9.69x6.69in  |
| 135x76mm  | 7.32x4.41in  |
| 35 mm     | 0.55in       |
| 320ml     | 10.82fl. oz  |

Case Pack pcs  
Case Cube  
40HQ Cases



100%

### 1610G(Yellow)

|           |              |
|-----------|--------------|
| 160x100mm | 10.00x7.01in |
| 150x95mm  | 9.69x6.69in  |
| 135x76mm  | 7.32x4.41in  |
| 35 mm     | 0.55in       |
| 320ml     | 10.82fl. oz  |

Case Pack pcs  
Case Cube  
40HQ Cases



100%

### 1811-IVC

|           |             |
|-----------|-------------|
| 180x113mm | 7.09x4.45in |
| 170x103mm | 6.69x4.06in |
| 160x90mm  | 6.30x3.54in |
| 30 mm     | 1.18in      |
| 400ml     | 13.53fl. oz |

Case Pack pcs  
Case Cube  
40HQ Cases



100%

### 2718-IVC

|           |              |
|-----------|--------------|
| 270x180mm | 10.63x7.09in |
| 260x165mm | 10.24x6.50in |
| 246x157mm | 9.69x6.18in  |
| 35 mm     | 1.38in       |
| 1150ml    | 38.89fl. oz  |

Case Pack pcs  
Case Cube  
40HQ Cases



# Rectangular Smooth Wall

## 长方形无皱容器系列

bottom (mm) height (mm) Volume (fl. oz & ml)



# Round Smooth Wall

## 圆形无皱容器系列

bottom (mm) height (mm) Volume (fl. oz & ml)

**S1610S** Lid



|             |               |
|-------------|---------------|
| 161 X 111mm | 6.34 X 4.37in |
| 140 X 90mm  | 5.51 X 3.54in |
| 28mm        | 1.1in         |
| 345ml       | 12.14fl.oz    |

CaSe Pack 1000pcS  
CaSe CUbe  
40HQ CaSeS

**S1610M** Lid



|             |               |
|-------------|---------------|
| 161 X 111mm | 6.34 X 4.37in |
| 135 X 86mm  | 5.31 X 3.39in |
| 40mm        | 1.57in        |
| 450ml       | 15.84fl.oz    |

CaSe Pack 1000pcS  
CaSe CUbe  
40HQ CaSeS

**SR180** Lid



|        |           |
|--------|-----------|
| 180mm  | 7.09in    |
| 100mm  | 3.94in    |
| 50mm   | 1.97in    |
| 1000ml | 35.2fl.oz |

CaSe Pack 1000pcS  
CaSe CUbe

**SR180D** Lid



|        |            |
|--------|------------|
| 180mm  | 7.09in     |
| 147mm  | 5.79in     |
| 60mm   | 2.36in     |
| 1130ml | 39.77fl.oz |

CaSe Pack 500pcS  
CaSe CUbe

**S1610D** Lid



|             |               |
|-------------|---------------|
| 161 X 111mm | 6.34 X 4.37in |
| 135 X 86mm  | 5.31 X 3.39in |
| 54mm        | 2.13in        |
| 680ml       | 23.94fl.oz    |

CaSe Pack 1000pcS  
CaSe CUbe

**SR162** Lid



|             |               |
|-------------|---------------|
| 162 X 148mm | 6.38 X 5.83in |
| 120 X 118mm | 4.72 X 4.65in |
| 50mm        | 1.97in        |
| 850ml       | 29.92fl.oz    |

CaSe Pack 1000pcS  
CaSe CUbe

**SR250S** Lid



|        |           |
|--------|-----------|
| 250mm  | 9.84in    |
| 212mm  | 8.35in    |
| 38mm   | 1.5in     |
| 2000ml | 70.4fl.oz |

CaSe Pack 500pcS  
CaSe CUbe

**SR250M** Lid



|        |            |
|--------|------------|
| 250mm  | 9.84in     |
| 204mm  | 8.03in     |
| 85mm   | 3.35in     |
| 3000ml | 105.6fl.oz |

CaSe Pack 500pcS  
CaSe CUbe

**S1813S** Lid



|             |               |
|-------------|---------------|
| 184 X 128mm | 7.24 X 5.04in |
| 160 X 104mm | 6.3 X 4.09in  |
| 30mm        | 1.18in        |
| 580ml       | 20.42fl.oz    |

CaSe Pack 1000pcS  
CaSe CUbe

**S1813M** Lid



|             |               |
|-------------|---------------|
| 184 X 128mm | 7.24 X 5.04in |
| 157 X 101mm | 6.18 X 3.98in |
| 45mm        | 1.77in        |
| 750ml       | 26.4fl.oz     |

CaSe Pack 1000pcS  
CaSe CUbe

**SR250D** Lid



|             |                 |
|-------------|-----------------|
| 250mm       | 9.84in          |
| 368 X 368mm | 14.49 X 14.49in |
| 201mm       | 7.91in          |
| 100mm       | 3.94in          |
| 3500ml      | 123.2fl.oz      |

CaSe Pack 2000pcS  
CaSe CUbe

**S1813D** Lid



|             |               |
|-------------|---------------|
| 184 X 128mm | 7.24 X 5.04in |
| 154 X 94mm  | 6.06 X 3.7in  |
| 57mm        | 2.24in        |
| 930ml       | 32.73fl.oz    |

CaSe Pack 1000pcS  
CaSe CUbe

**S1665** Lid



|            |               |
|------------|---------------|
| 163 X 65mm | 6.42 X 2.56in |
| 147 X 50mm | 5.79 X 1.97in |
| 30mm       | 1.18in        |
| 250ml      | 8.8fl.oz      |

CaSe Pack 2000pcS  
CaSe CUbe

**SR127** Lid



|       |               |
|-------|---------------|
| 127mm | 5in           |
| 100mm | 13.7 X 13.7in |
| 50mm  | 1.97in        |
| 250ml | 8.8fl.oz      |

CaSe Pack 1000pcS  
CaSe CUbe  
40HQ CaSeS

**SR125** Lid



|       |               |
|-------|---------------|
| 125mm | 4.92in        |
| 100mm | 13.7 X 13.7in |
| 50mm  | 1.97in        |
| 350ml | 12.32fl.oz    |

CaSe Pack 1000pcS  
CaSe CUbe  
40HQ CaSeS



# ALUMINUM FOIL



Household aluminum foil ,customize size



Hamburger Aluminum foil,customize size



Aluminum foil for hair,customize color



Hamburger foil & paper,Cutomize pattern



Pop up aluminum foil . Customize size



Chocolate foil,Customize size and color



Aluminum foil perm cap,customize size



Kitchen greaseproof Foil, Customize size



Yogurt cover Foil, customize LOGO



# ALUMINUM FOIL PRODUCTS

PROFESSIONAL MANUFACTURER

Our main products are aluminium foil containers, aluminium foil jumbo roll, household aluminium foil rolls, baking paper and cling wrap film etc, the products are used in home and restaurant food packing, BBQ, baking, even hair care.



VIEW MORE

## Aluminum foil Package

Corrugated color box with plastic holder and metal blade  
We can produce according to your size and color.  
If you interest, contact us any time.

# Aluminum foil Normal size



| size         | pack    | case size      | cube     |
|--------------|---------|----------------|----------|
| 300mm × 10m  | 24rolls | 28*19*32cm     | 0.017cbm |
| 300mm × 20m  | 24rolls | 28*19*32cm     | 0.017cbm |
| 300mm × 30m  | 24rolls | 28*19*32cm     | 0.017cbm |
| 300mm × 50m  | 12rolls | 23*17.5*33.5cm | 0.013cbm |
| 300mm × 150m | 6rolls  | 35*29*20cm     | 0.02cbm  |

| size         | pack    | case size    | cube     |
|--------------|---------|--------------|----------|
| 450mm × 5m   | 24rolls | 28*19*47cm   | 0.025cbm |
| 450mm × 10m  | 24rolls | 28*19*47cm   | 0.025cbm |
| 450mm × 20m  | 24rolls | 32.5*22*47cm | 0.034cbm |
| 450mm × 150m | 6rolls  | 50*29*29cm   | 0.042cbm |

| size                      | pack    | case size      | cube     |
|---------------------------|---------|----------------|----------|
| 25sq.ft(25ft × 12in )     | 24rolls | 28*19*32cm     | 0.017cbm |
| 37.5sq.ft(25ft × 18in )   | 24rolls | 28*19*47cm     | 0.025cbm |
| 75sq.ft ( 75ft × 12in )   | 24rolls | 28*19*32cm     | 0.017cbm |
| 200sp.ft ( 200ft × 12in ) | 12rolls | 27*20.5*32.5cm | 0.042cbm |

## standard foodservice foil

| size          | pack          | case size         | cube     |
|---------------|---------------|-------------------|----------|
| 12in × 500ft  | 216pcs/pallet | 114 × 104 × 117cm | 1.387cbm |
| 18in × 1000ft | 216pcs/pallet | 114 × 104 × 117cm | 1.387cbm |
| 18in × 500ft  | 160pcs/pallet | 120 × 108 × 90cm  | 1.166cbm |
| 18in × 1000ft | 160pcs/pallet | 114 × 104 × 128cm | 1.518cbm |

## standard foodservice foil

| size          | pack          | case size         | cube     |
|---------------|---------------|-------------------|----------|
| 12in × 500ft  | 216pcs/pallet | 114 × 104 × 117cm | 1.387cbm |
| 18in × 1000ft | 160pcs/pallet | 120 × 108 × 90cm  | 1.166cbm |
| 18in × 1000ft | 160pcs/pallet | 114 × 104 × 128cm | 1.518cbm |
| 24in × 1000ft | 100pcs/pallet | 120 × 108 × 75cm  | 0.972cbm |



## Quality Certification Is Trustworthy

Henan koncen Im&Ex Co.,Ltd focus on designing and manufacturing Automatic production line with high precision Mould for Aluminum Foil Containers Project, Started 2016,Own Brand Alkonce base has passed ISO9001,ISO14001,FDA,SGS

and production license.The kinds of aluminum foil containers are widely used in the baking containers,Cooking containers,Oven Containers,refrigerated containers and takeaway Containers, with a broad development prospect and great Environmental Significance.

### Security Certificate



只要是食品包装就用康宸包装

henan koncen IM&EX CO.,Ltd  
 Add:Shenglong Building Shangding Road, Zhengzhou, Henan, China.  
 Email:[info@koncenInc.com](mailto:info@koncenInc.com)  
 Website: [www.koncenInc.com](http://www.koncenInc.com)

